

ACBL-51

ASSEMBLY INSTRUCTIONS & DIMENSION

LM

LEISUREMOD

Form. Comfort. Legacy



LeisureMod

Phone: (201) 429-7715

Email: Info@LeisureMod.com



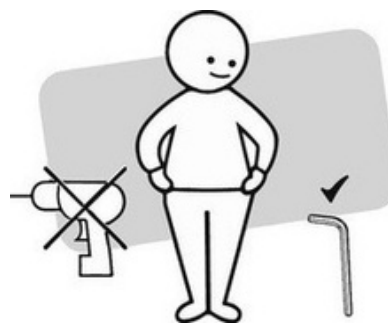
ACBL-51

ASSEMBLY INSTRUCTIONS & DIMENSION

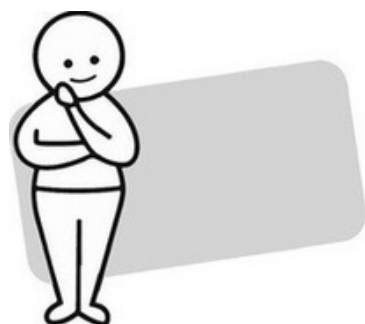
LM



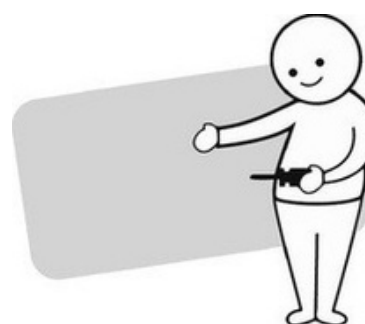
Read through the instructions carefully before you begin.



Make sure you have all the required tools. Never use power tools unless instructed.



Identify and lay out all of the components before assembling.



Unless instructed, do not fully tighten screws until the item is fully assembly.



Retain these instructions for future reference.



Do not discard any of the packaging until you have checked that you have all the parts and the pack of fixings.

LeisureMod

Phone: (201) 429-7715

Email: Info@LeisureMod.com



ACBL-51

ASSEMBLY INSTRUCTIONS & DIMENSION



WARNING! TO REDUCE THE RISK OF SERIOUS INJURY, READ THE FOLLOWING SAFETY INSTRUCTIONS BEFORE ASSEMBLING AND USING THE PRODUCT.

Please read and understand this entire manual before attempting to assemble, operate, or install the product.

Any assembly or maintenance of the product must be carried out by adults only.

Some parts may contain sharp edges. Wear protective gloves if necessary.

To prevent damage, place all parts on a level surface during assembly. Add a layer of protective surface if needed.

Due to the nature of steel, surface oxidation (rusting) will occur if this protective coating is scratched. This is a natural process. To minimize this condition, it is recommended that care be taken when assembling and handling the product in order to prevent the paint from being scratched.

TOOLS REQUIRED



2 person



To avoid damage, ensure screws are hand tightened.

DO NOT USE POWER TOOLS TO ASSEMBLE YOUR UNIT.



Phillips head screw driver is required in the assembly process. However, manufacturer does not provide this item. Quantities shown are for one chair.

LeisureMod

Phone: (201) 429-7715

Email: Info@LeisureMod.com



ACBL-51

ASSEMBLY INSTRUCTIONS & DIMENSION



ASSEMBLY INSTRUCTIONS

ASSEMBLY TIPS:

1. Remove hardware from box and sort by size.
2. Please check to see that all hardware and parts are present prior to start of assembly.
3. Please follow attached instructions in the same sequence as numbered to assure fast & easy assembly.

WARNING!

1. Don't attempt to repair or modify parts that are broken or defective. Please contact the seller immediately.
2. This product is for home use only and not intended for commercial establishments.

1	2	A	B	C	TOOL NEEDED
	3	D	E	F	G

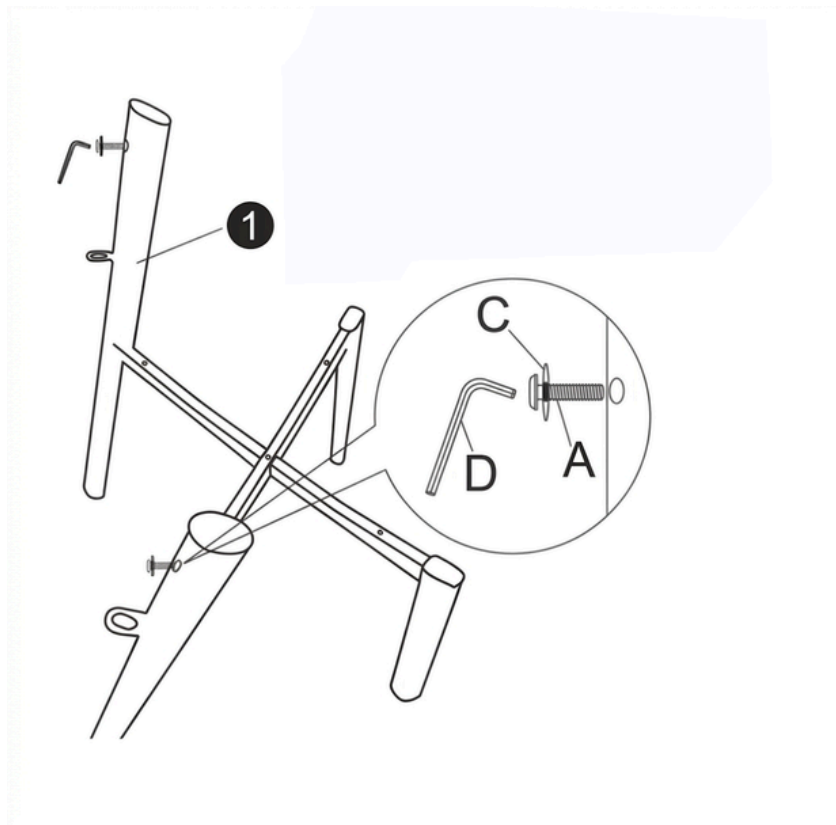


ACBL-51

ASSEMBLY INSTRUCTIONS & DIMENSION



STEP 1



Frame Preparation

Insert Screw A with Washer C into the designated hole. Leave the screw extended approximately 1/2 inch and do not fully tighten.

This allows the seat back to properly latch onto the frame before securing the bottom screws.

LeisureMod

Phone: (201) 429-7715

Email: Info@LeisureMod.com

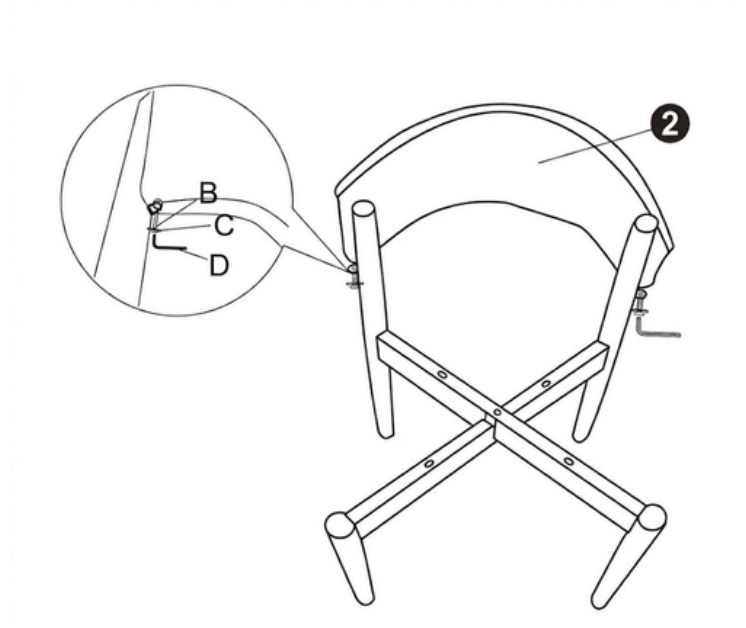


ACBL-51

ASSEMBLY INSTRUCTIONS & DIMENSION



STEP 2



Seat Back Installation

Step 1

Insert the top screw with the head facing backward into the designated top hole. There is internal space designed to allow this head to securely latch the seat back into the frame.

Step 2

Align the seat back and insert the two bottom screws. These bottom screws will pull the frame down and lock the latch into place.

Step 3

Once the bottom screws are secured, the seat back will be fully latched and stable.

Note

Double-check that both bottom screws are correctly aligned and starting to thread properly before tightening either one completely.

LeisureMod

Phone: (201) 429-7715

Email: Info@LeisureMod.com

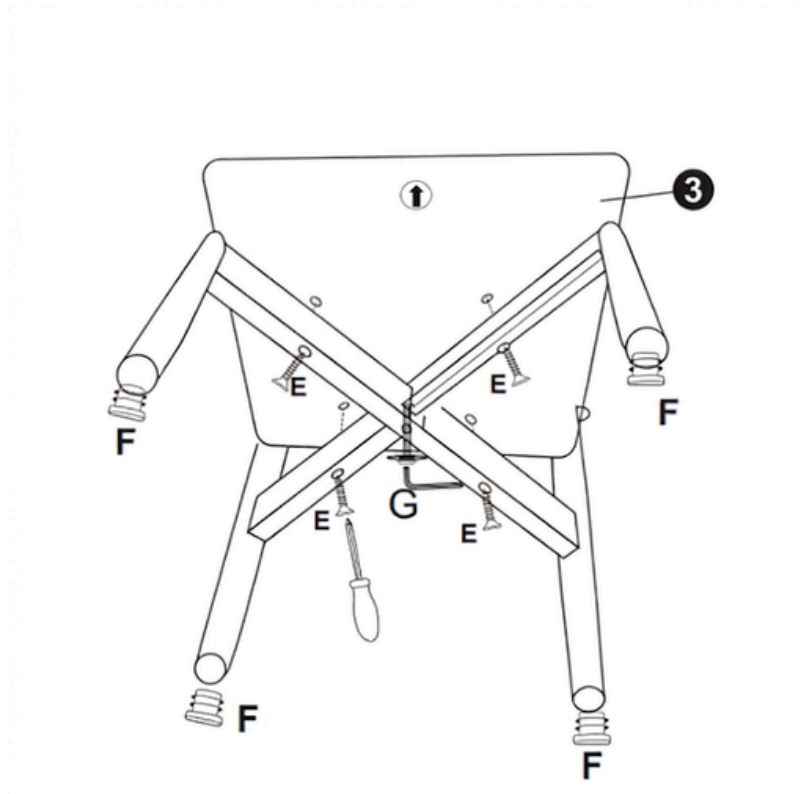


ACBL-51

ASSEMBLY INSTRUCTIONS & DIMENSION



STEP 3



Seat Cushion Installation:

Step 1

Insert Screw G (1), but do not fully tighten. Then position the seat cushion with the bottom arrow facing forward. Ensure the cushion is touching the back tubes and centered in the middle position.

Step 2

Insert Screws E (4), leaving them loose until all four screws are properly inserted.

Note: A magnetic screwdriver is preferred, as the holes are small.

Step 3

Once all screws are inserted, proceed to fully tighten all five screws. Then install the foot caps (F).

LeisureMod

Phone: (201) 429-7715

Email: Info@LeisureMod.com

